

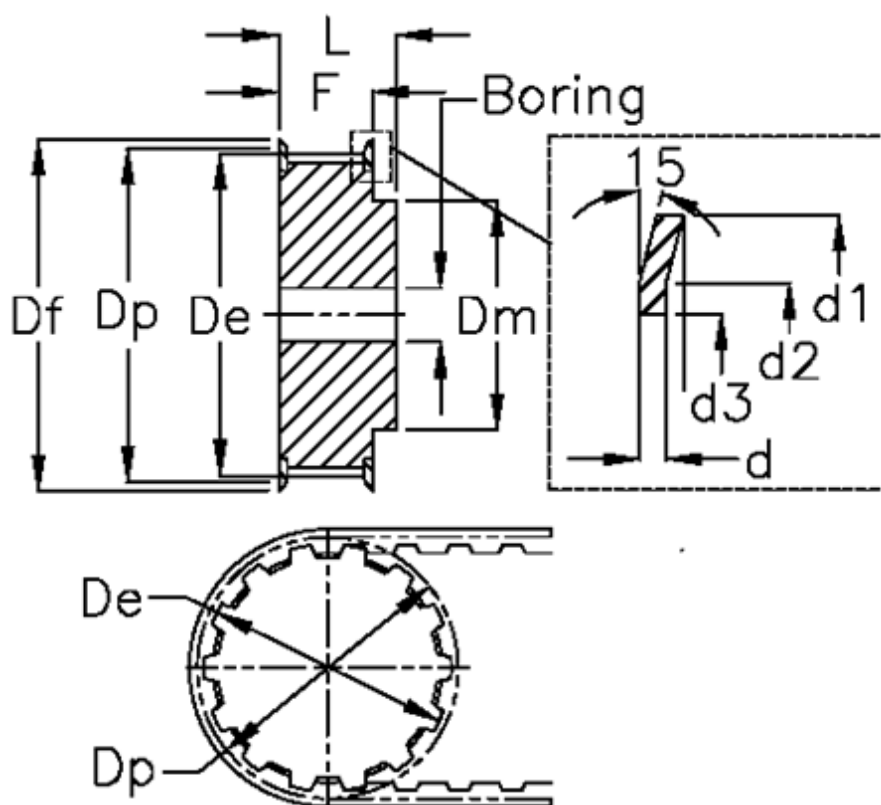
Data Sheet



Article number: 604142040009

Description: Timing belt pulley with hub
HTD 40 5M 9

Measures



Bore = 8	Dp = 63.66
d = 1	F = 14.5
d1 = 70	Flange type = F26
d2 = 66.5	L = 22.5
d3 = 53	Tooth number = 40
De = 62.52	Type = 5M
Df = 70	Weight = 0.4
Dm = 38	Width = 09